



Radial stand fans - WPA-E-UL

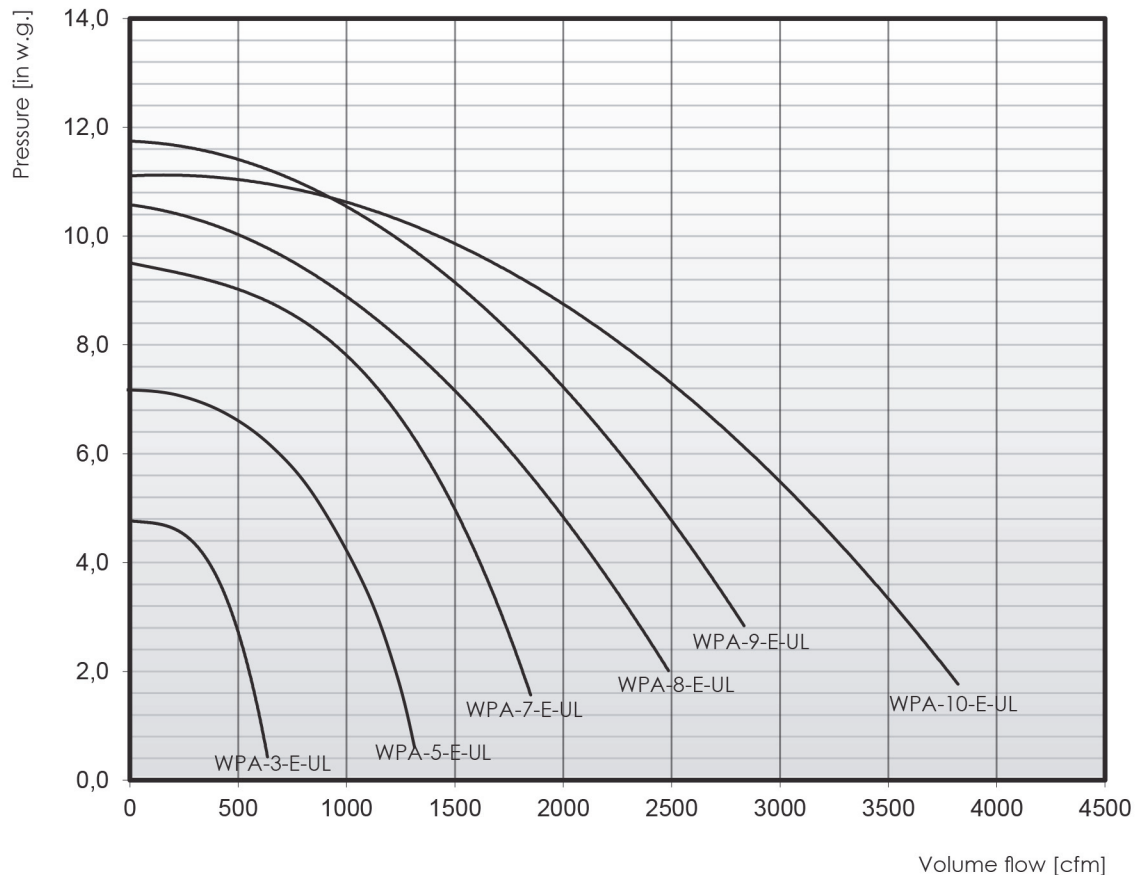


Application

These fans are designed for local exhausts. They are installed on wall brackets within the rooms (indoor application). As they can overcome significant air flow resistances, they are particularly efficient within the systems of local exhausts.

Structure

The fan consists of a steel spiral housing and an electromotor. The aluminium radial impeller is fitted on a motor shaft. Impeller blades cross-section resemble the profile of an aeroplane wing, providing low noise. To the fan inlet is fastened a flange to install it on a wall bracket or, directly on a filtering unit. Whereas, the outlet is ended with a round ferrule to attach safely the seam-spiral duct (rigid conduit) or designed for flexible connections. For safety reasons, the inlet and outlet are equipped with a protective grill. It is recommended to install a TK-type silencer at the fan inlet and outlet.





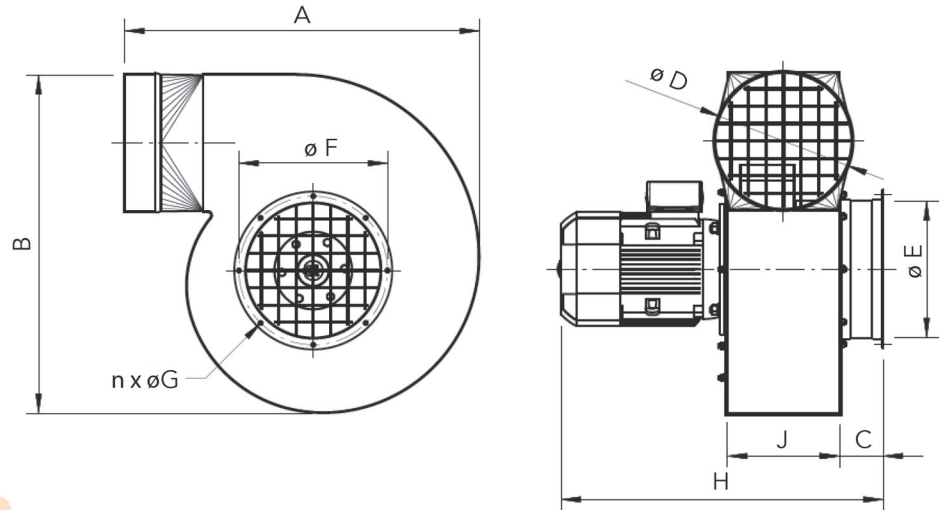
Technical Data

Type	Part.No	Synchronous rotations [rpm]	Supply voltage [V]; 60 Hz	Motor rate [HP]	Ingress protection IP	Acoustic pressure level [dB(A)] from the distance of		Maximum volume flow [cfm]	Maximum vacuum [in w.g.]	Weight [lb]
						3.3 ft	16.5 ft			
WPA-3-E-1-UL	704W26	3600	120	0.75	54	73/65*	59/51*	635	4.7	29
WPA-3-E-3-UL	704W27		3x208-230 3x460							
WPA-5-E-1-UL	704W28	3600	120	1.0	54	84/75*	70/61*	1285	7.2	45
WPA-5-E-3-UL	704W29		3x208-230 3x460							
WPA-7-E-UL	704W30	3600	3x208-230 3x460	2.0	54	89/77*	75/63*	1849	9.5	57
WPA-8-E-UL	704W31	3600	3x208-230 3x460	3.0	54	89/79	75/65*	2485	10.5	65
WPA-9-E-UL	704W32	3600	3x208-230 3x460	4.0	54	91/82	77/68*	2834	11.8	99
WPA-10-E-UL	704W33	3600	3x208-230 3x460	5.0	54	93/89*	79/69*	3821	11.1	145

1. Maximum temperature of the conveyed air is +140°F. Maximum temperature within the work area +104°F.

2. Maximum dustiness of the conveyed air should not exceed 0,3 oz/ft³.

* Noise level has been measured with the TK L=19.7 inch silencer, attached at the inlet and outlet of the fan (for the WPA-3-E-UL the TK L=14.6 inch is applied).



Dimensions

Type	A [in]	B [in]	C [in]	D [in]	E [in]	F [in]	n [pc.]	G [in]	H [in]	J [in]
WPA-3-E-UL	16.1	15.2	2.0	4.9	4.9	6.1	6	0.3	15.7	5.1
WPA-5-E-UL	18.9	18.9	2.4	6.3	6.3	7.6	6	0.3	17.5	5.5
WPA-7-E-UL	21.7	20.8	2.4	7.9	6.3	7.6	6	0.3	19.1	6.1
WPA-8-E-UL	22.6	21.7	2.4	7.9	7.9	8.8	8	0.4	19.7	6.1
						9.2	6	0.3		
						9.7	8	0.4		
WPA-9-E-UL	24.1	24.1	2.4	7.9	7.9	8.8	8	0.4	21.3	6.1
						9.2	6	0.3		
						9.7	8	0.4		
WPA-10-E-UL	25.4	24.6	3.9	9.8	9.8	10.8	8	0.4	26.2	9.3